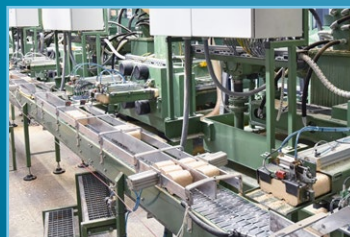




COMPRESSION, LOCKING, RESISTANT TO DIRT, DUST **PDK-M SERIES**

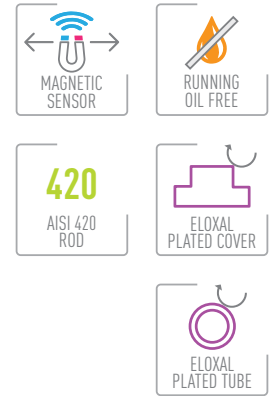
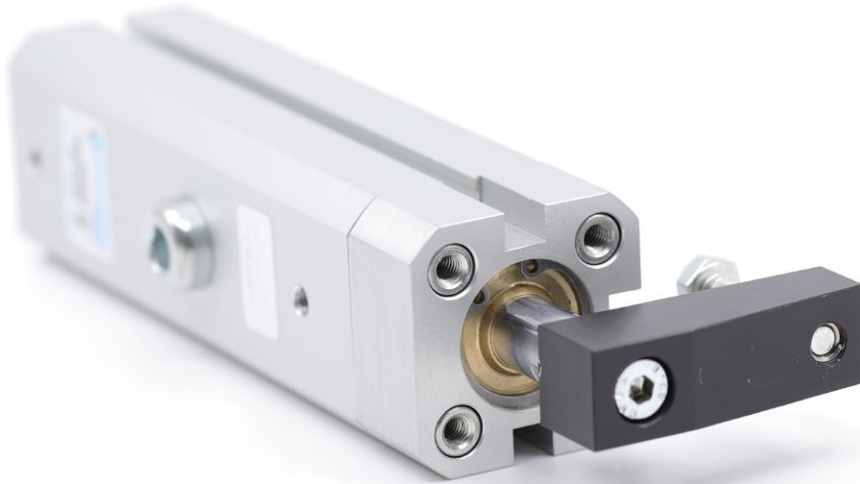
**LINEAR-SWIVEL CLAMP CYLINDERS
WITH METAL SCRAPER // Ø20- Ø50**

**DOUBLE ACTING SWIVEL CYLINDERS
WITH MAGNETIC**



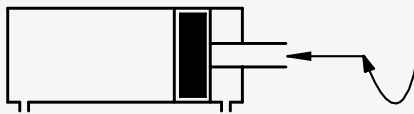
- Compact body structure provides ease of installation and space saving.
- Rod seal with metal scraper designed for dusty and welding environments,
- Often used in automotive and white goods sectors where compression and locking is essential.
- The direction of rotation can be adjusted manually left and right.





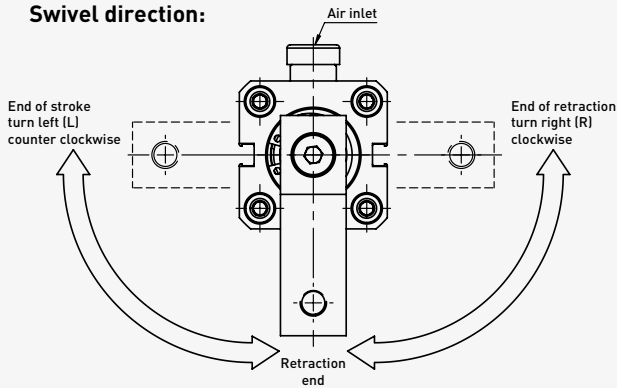
PDK-M SERIES LINEAR-SWIVEL CLAMP CYLINDERS WITH METAL SCRAPER // Ø20 - Ø50

DOUBLE ACTING SWIVEL CYLINDERS WITH MAGNETIC



PDK-M
DOUBLE ACTING
CYLINDER WITH
MAGNETIC and
LINEAR-SWIVEL

Swivel direction:



- COMPACT AND LIGHT BODY STRUCTURE
- ROD SEAL WITH METAL SCRAPER DESIGNED FOR DUSTY AND WELDING ENVIRONMENTS
- LONGER WORKING LIFE WITH SCRAPER FEATURE
- ROTATION AND LOCKING IN ONE CYLINDER BODY
- THE DIRECTION OF ROTATION CAN BE ADJUSTED MANUALLY LEFT AND RIGHT
- EASY TO INSTALL SENSOR ON EVERY SURFACE OF CYLINDER

FORCE

Cylinder Ø mm	Rod Ø mm	6 bar		2 bar	4 bar	6 bar
		Clamping without arm		Clamping with arm		
		Thrust Force (N)	Traction Force (N)	Effective clamping force at (N)		
20	10	170	127	35	73	109
25	12	265	227	63	127	188
32	16	482	362	111	216	313
40	16	754	633	176	355	536
50	20	1178	990	271	508	716

WORK CONDITIONS

Working Fluid:

Filtered and lubricated or filtered and not lubricated air

Operating Temperature Range:

Polyurethane (PU) : (-20°C) - (+80°C)
Viton (FKM) : (-30°C) - (+150°C)

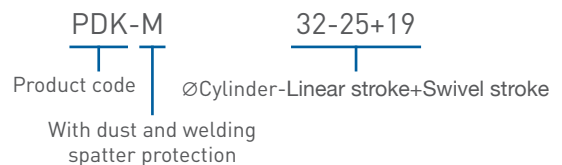
Max. Work Pressure:

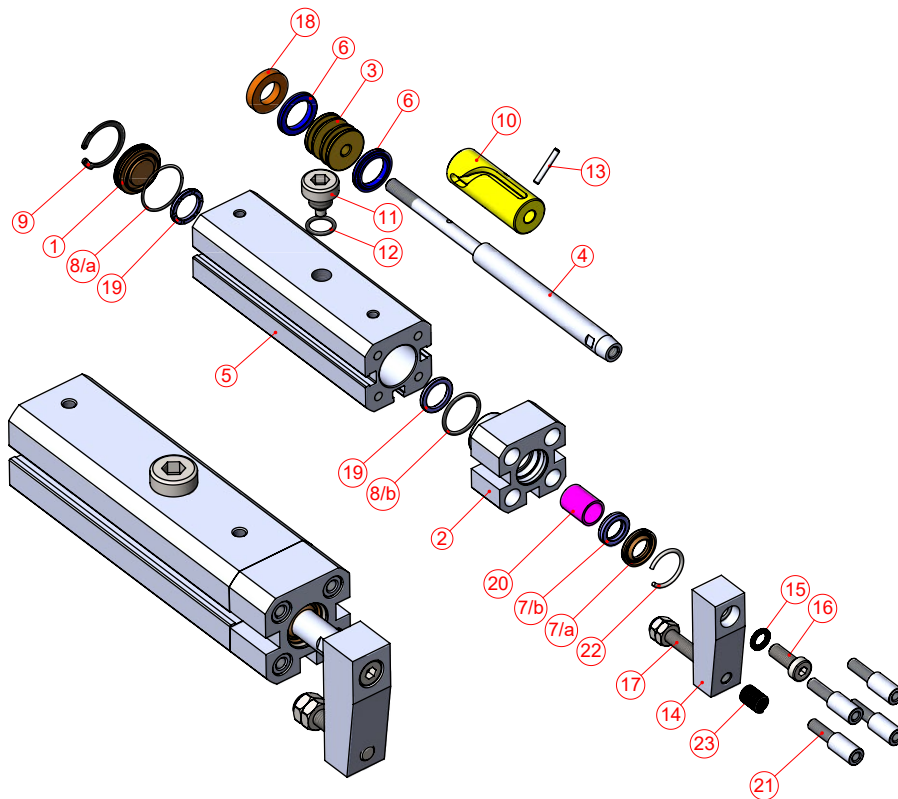
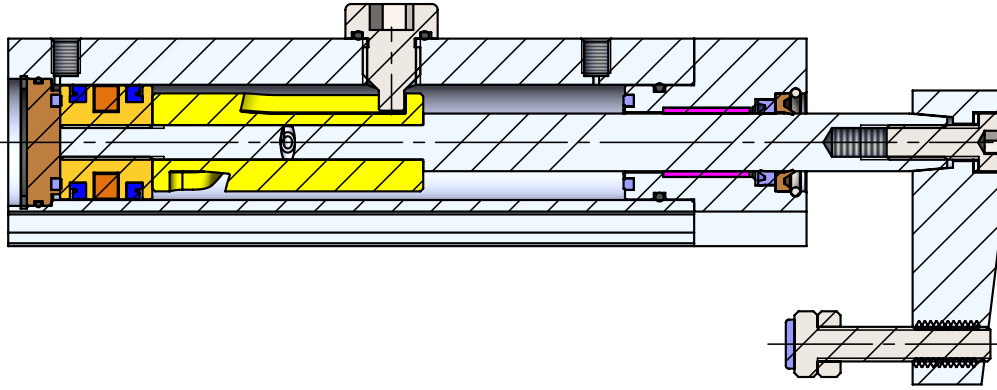
10 Bar

NON-STANDARD VARIATIONS

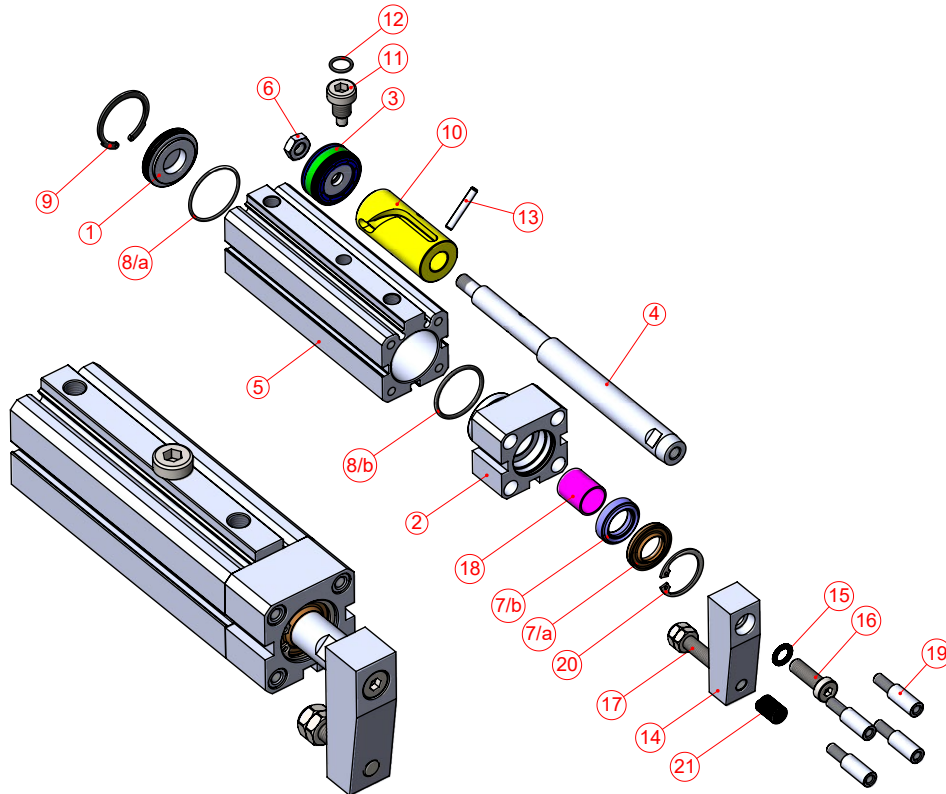
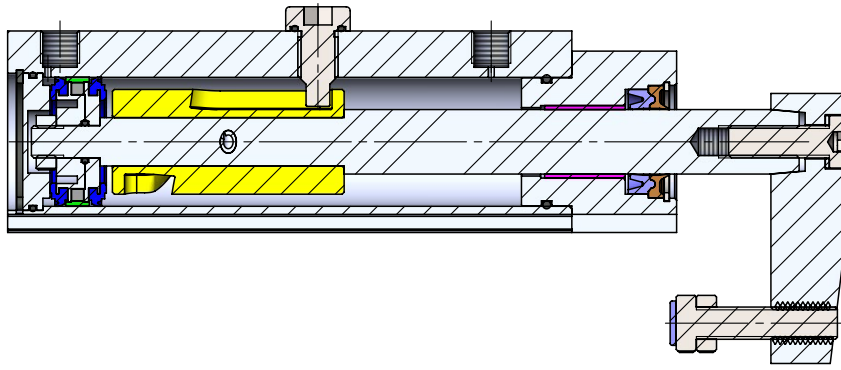
- M4: Extended Piston Rod
- K1: Seals for Max. 150°C (viton)
- K4: Piston Rod Seal (viton)

EXAMPLE OF ORDER



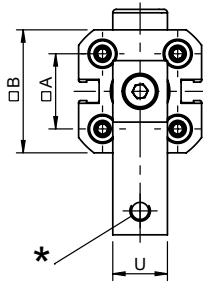


No	Material name	Characteristic	Pc
1	Rear Head	Bronze	1
2	Front Head	6082 Al.+Eloxal Plated	1
3	Middle Piston	Brass	1
4	Piston Rod	X20Cr13 Hard Chrome Plated	1
5	Tube	AlMgSi0.5+Eloxal Plated	1
6	Piston Seal	PU	2
7	Rod Seal	Bronze+PU85	1+1
8	Head O-ring	NBR	1+1
9	Retaining Ring	Steel	1
10	Rotary Guide	Delrin	1
11	Guide Bolt	Galvanized Steel	1
12	O-Ring	NBR	1
13	Pin	Steel	1
14	Clamping Arm	6082 Al.+Eloxal Plated	1
15	Spring Washer	Galvanized Steel	1
16	Bolt	Galvanized Steel	1
17	Bolt	Galvanized Steel + Teflon	1
18	Magnet		1
19	Bumper	PU 90	2
20	Guiding Bush	CSB-40	1
21	Bolt	Galvanized Steel	4
22	Retaining Ring	Steel	1
23	Helicoil Thread	Steel	1

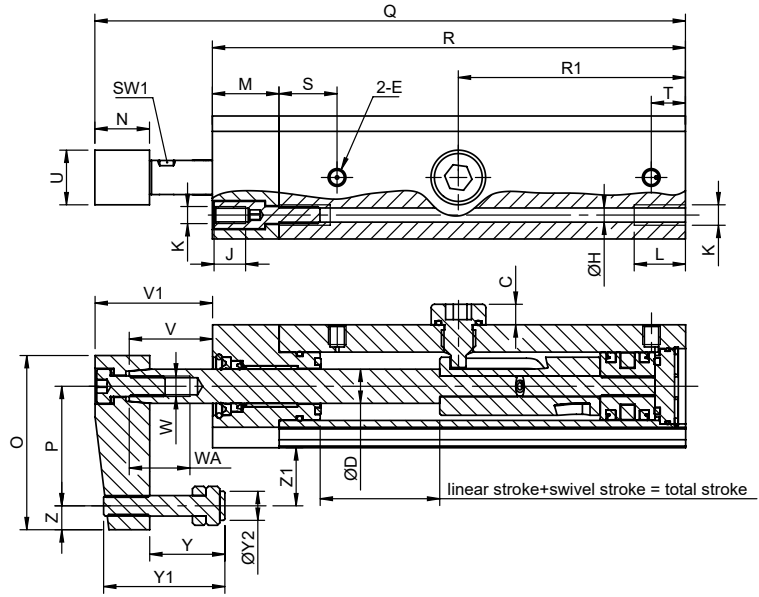


No	Material name	Characteristic	Pc
1	Arka Kapak	For Ø32 Cyl., Bronze	1
2	Front Head	For Ø40, Ø50 Cyl., 6082 Al.+Eloxal Plated	1
3	Middle Piston	6082 Al.+ Eloxal Plated	1
4	Piston Rod	PU+AL.+POM+Magnet	1
5	Tube	X20Cr13 Hard Chrome Plated	1
6	Nut	AlMgSi0.5+Eloxal Plated	1
7	Rod Seal	Galvanized Steel	1
8	Head O-ring	Bronze+PU85	1+1
9	Retaining Ring	NBR	1+1
10	Rotary Guide	Steel	1
11	Guide Bolt	Delrin	1
12	O-Ring	Galvanized Steel	1
13	Pin	NBR	1
14	Clamping Arm	Steel	1
15	Spring Washer	6082 Al.+ Eloxal Plated	1
16	Bolt	Galvanized Steel	1
17	Bolt	Galvanized Steel	1
18	Guiding Bush	Galvanized Steel + Teflon	1
19	Bolt	CSB-40	1
20	Retaining Ring	Galvanized Steel	4
21	Helicoil Thread	Steel	1

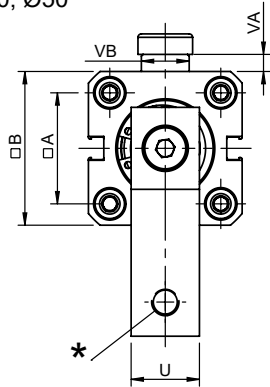
Ø20, Ø25



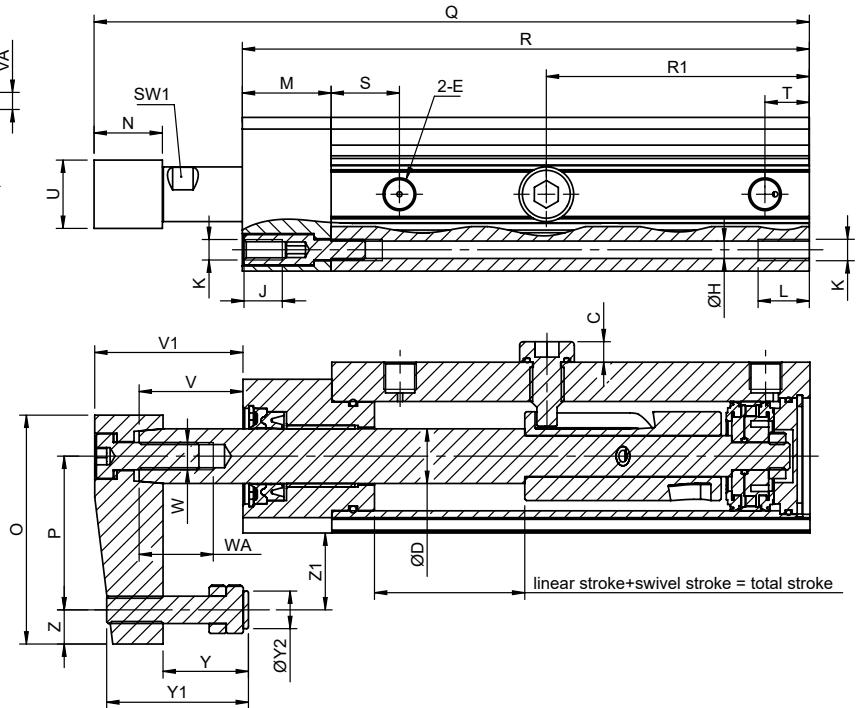
Cylinder Ø mm	*
20	M6
25	M6



Ø32, Ø40, Ø50



Cylinder Ø mm	*
32	M8
40	M8
50	M10



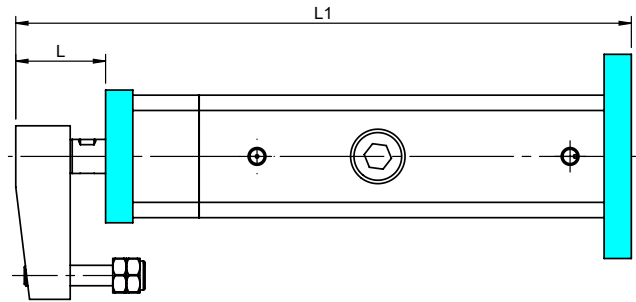
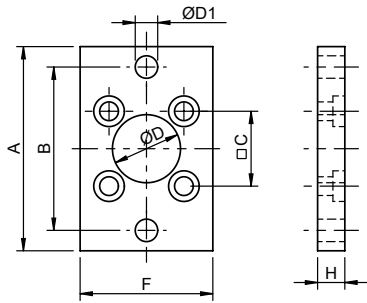
Cylinder Ø mm	Linear Stroke	Swivel Stroke	Total Stroke	A	B	C	D	E	H	J	K	L	M	N
20	20	15	35	22	36	6	10	M5	4.15	9	M5	15	19.5	16
25	20	17	37	26	41	6	12	M5	4.15	9	M5	15	20	16
32	25	19	44	32.5	45	6	16	G1/8"	5.1	10	M6	18	26	20
40	30	24	54	38	54	6	16	G1/8"	5.1	10	M6	18	26	20
50	30	30	60	46.5	64.5	6	20	G1/8"	6.7	12	M8	20	30	25

Cylinder Ø mm	O	P	Q	R	R1	S	T	U	V	V1	VA	VB	W	WA	Y	Y1	Y2	Z	Z1	SW1
20	51	35	172.9	138.5	66.5	17	10	16	24.4	34.4	-	-	M6	15	10 ~ 22	35.5	8.5	7	17	9
25	51	35	180.4	146	70.5	17	9.5	16	24.4	34.4	-	-	M6	15	10 ~ 22	35.5	8.5	7	14.5	10
32	67	45	209.4	166	77	20	13	20	30.4	43.4	5	14	M8	20	12 ~ 25	41.5	11	10	22.5	13
40	67	45	231.9	188.5	89.5	20	12	20	30.4	43.4	6	15	M8	20	12 ~ 25	41.5	11	10	18	13
50	88	65	260.3	211.5	100.5	20	14	25	32.8	48.8	5.5	19	M10	20	15 ~ 40	58	14	10	42.75	17



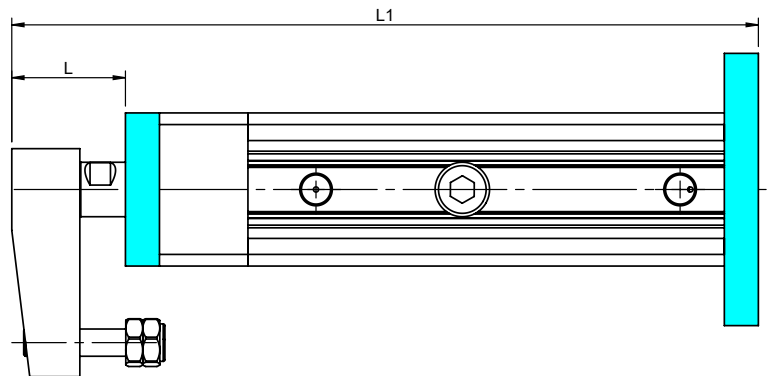
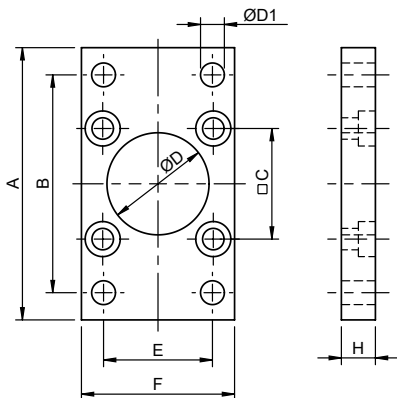
Ø20, Ø25

FLM Flange Mounting



Ø32, Ø40, Ø50

FLM Flange Mounting



Cylinder Ø mm	A	B (JS14)	C	D (H11)	D1 (H13)	E (JS14)	F	H	L	L1
20	70	55	22	20	6.6		36	8	26.4	180.9
25	76	60	26	25	6.6		40	8	26.4	188.4
32	80	64	32.5	30	7	32	45	10	33.4	219.4
40	90	72	38	35	9	36	54	10	33.4	241.9
50	110	90	46.5	40	9	45	65	12	36.8	272.3

