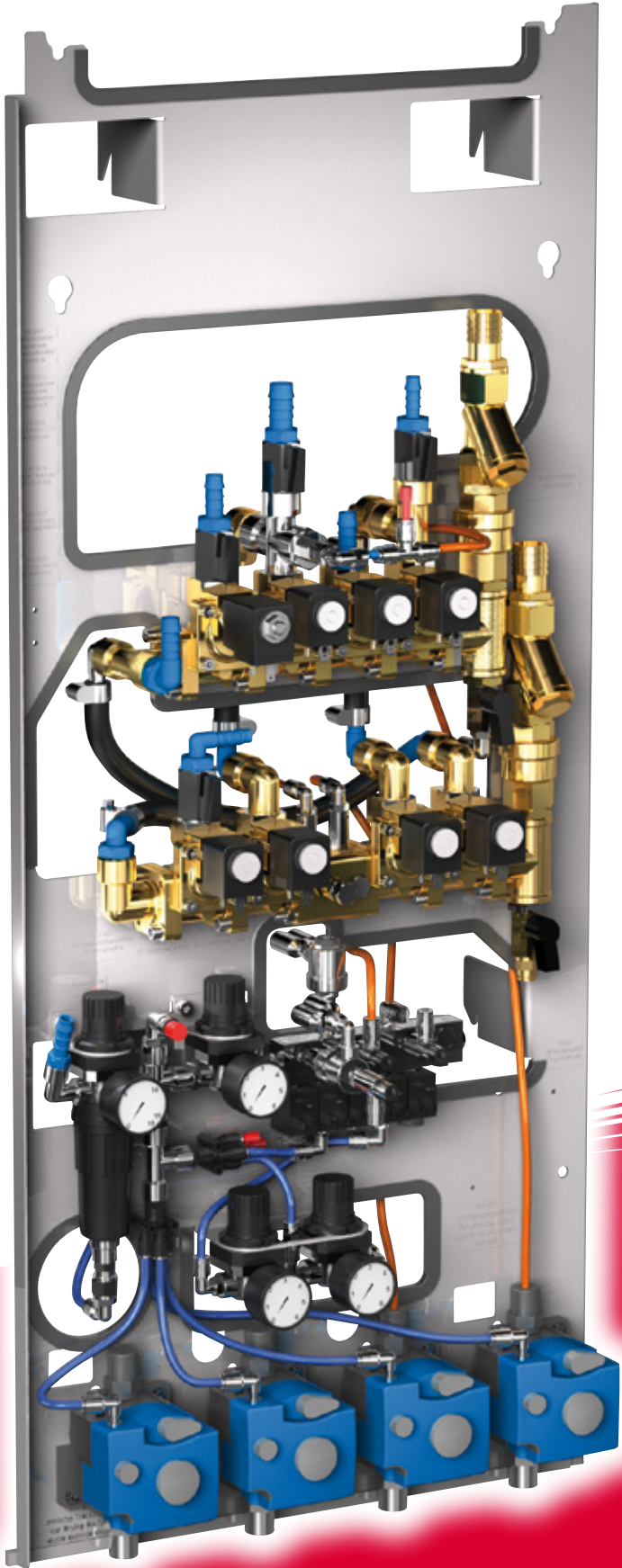


CARWASH TECHNOLOGY SPECIAL



Innovative Valve Technology

Solenoid valve for fresh water supply or water treatment

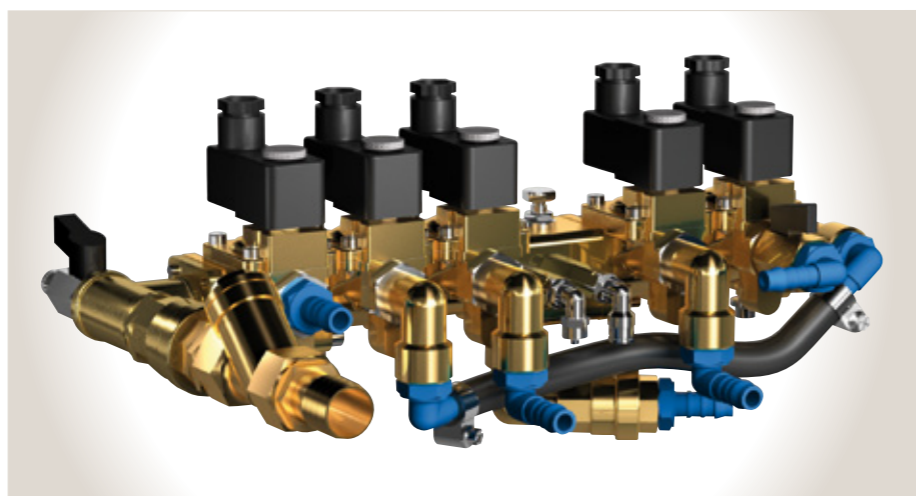
- 2/2-way pilot operated diaphragm solenoid valve
- Material: nickel-plated brass
- Pressure range: 0.15-16 bar

Modular valve, optionally with integrated bypass (incl. non-return valve) for external product and additives supply.



Water battery for fresh water or industrial water distribution

- Consisting of:
- Five 2/2-way pilot operated diaphragm block valves
 - Foam generator
 - Non-return valves
 - Strainer



High-pressure valve for the pre-wash process

- 2/2-way pneumatically operated 2-fold high-pressure dispenser block with two outlets through high-pressure screw fitting $G^{3/8}$
- Material: brass
- Pressure range: 0-100 bar
- Air connection through angled fitting
- Available as 1-fold to 4-fold block

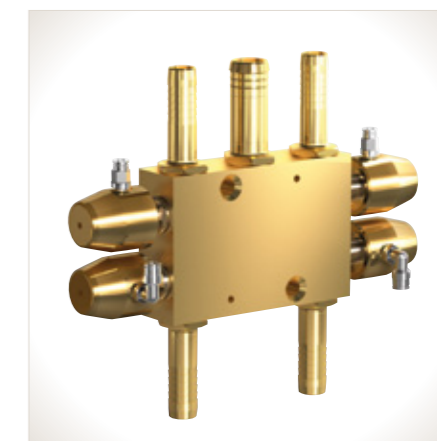
For the supply of high-pressure components e.g. tire wash nozzles.



Water dispenser block for underbody wash

- Water inlet: G1
- 4 outlets $G^{1/2}$
- Controlled through angled tube connection $6/4$, central water inlet G1 for all outlets
- Dispenser block/control cylinder: electropolished brass
- Direct pressure controlled

For supplying water to the underbody wash nozzle tubes. This dispenser block is developed especially for carwash stations.



Foam generator

- Consisting of:
- Foam tube
 - Strainer valve with fixed hose connection
 - Pressure regulator
 - Manometer
 - Angled fitting
 - Hose nozzle
 - Ball valve
 - Opening pressure: 0.7 bar

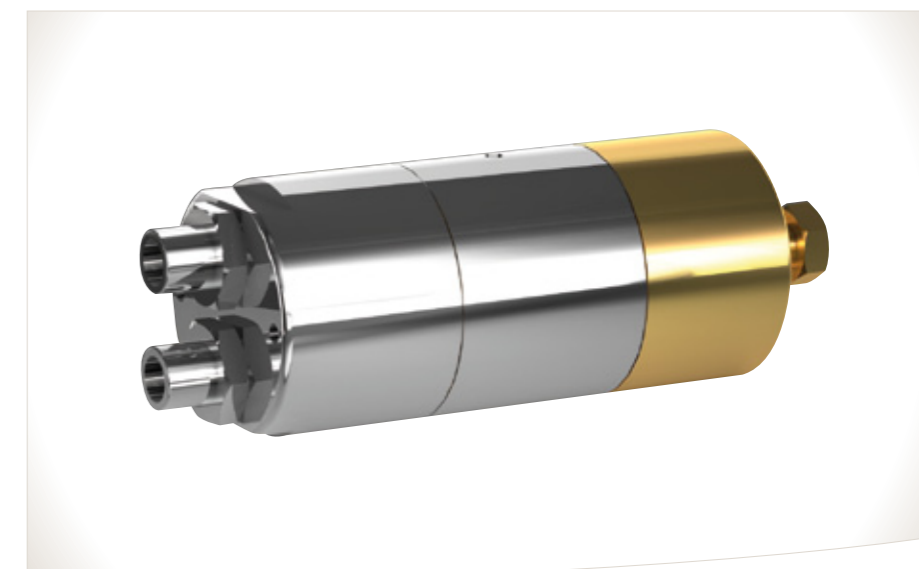
To generate foam for shampooing.



Rim cleaner pump

- Pressure-controlled piston pump with spring return
- Pressure range: 1-10 bar
- Dosing volume: 1-50 ml per stroke (continuously adjustable through setting screw)
- Input/output through screw fitting $G^{1/4}$ with non-return valve
- Control air through nipple $6/4$

For water and detergent supply and distribution.

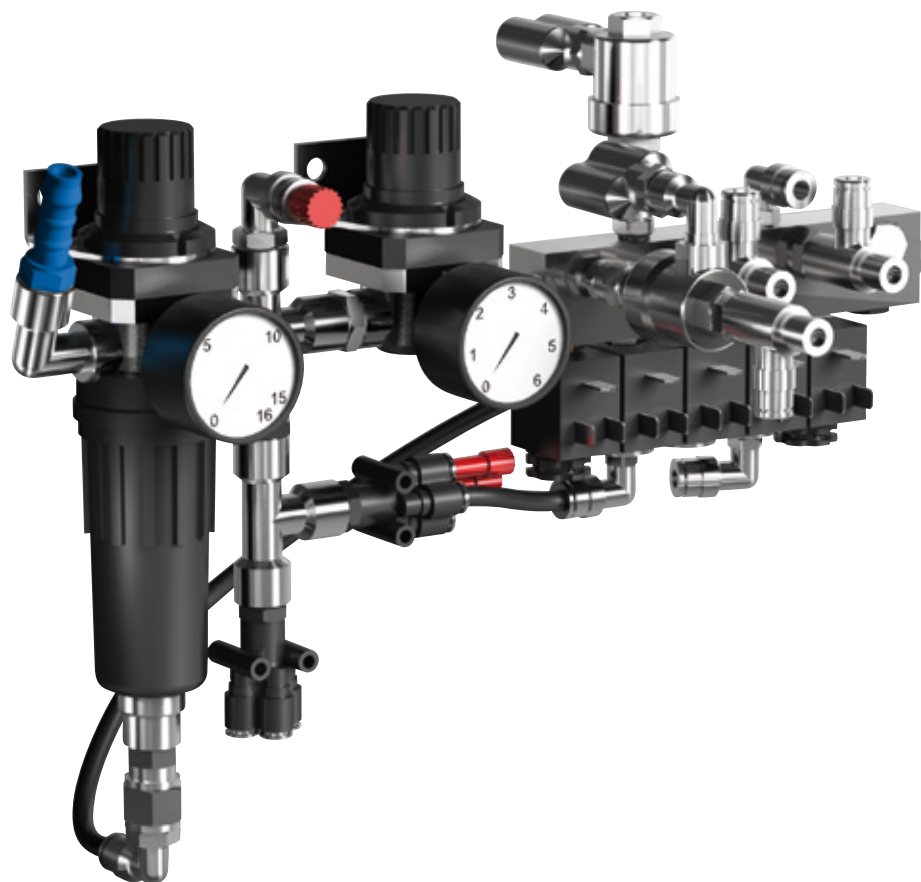


to control the entire carwash station

Consisting of:

- Filter regulator
- Oiler
- Pressure regulator
- Fitting block

Compact unit for the supply or distribution of compressed air to the components (e.g. dosing pumps) as well as all pneumatic components.



■ ■ OUR PRODUCT RANGE

Solenoid valves

Pressure-controlled valves

Motor-driven valves

Special custom-made valves

Accessories

Other options on request