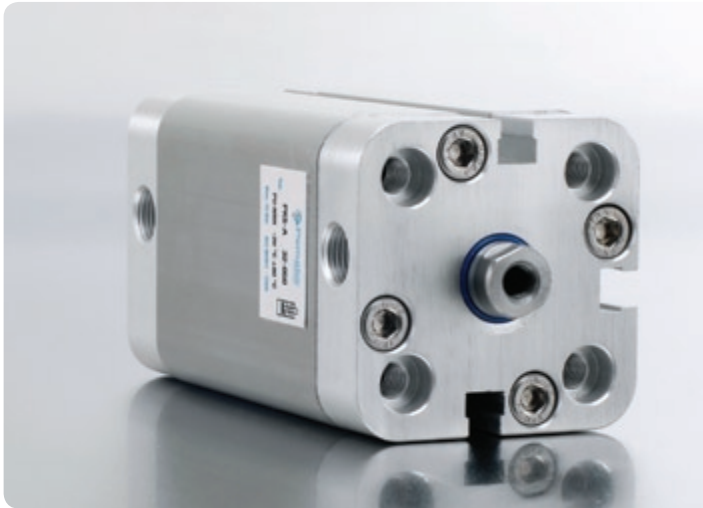


**COMPACT  
PNEUMATIC CYLINDERS  
PKS-A SERIES Ø32- Ø100**





## PKS-A SERIES

COMPACT - Ø32 - Ø100

COMPACT CYLINDER  
WITH MAGNET AND FRONT SPRING

WITH SINGLE ACTING USAGE  
PROVIDES MINIMUM AIR  
CONSUMPTION AND EQUIPMENT  
COSTS



**PKS:** COMPACT CYLINDERS WITH  
SINGLE ACTING (SPRINGED FROM  
FRONT)



**PKS-A:** MAGNETIC COMPACT  
CYLINDERS WITH SINGLE ACTING  
(SPRINGED FROM FRONT)

### Example of order:

PKS-A  
Product Code

032-050  
Cylinder Ø  
Stroke

M1  
Variants from  
Standard System

### VARIANTS FROM STANDARD SYSTEM:

R1: Stainless Steel Piston Rod (SS 304-SS 316)

R4: Stainless Steel Nut for Piston Rod (SS 304)

R5: Piston Rod as CK45 (Hard Chrome Plated)

M1: Extended male Piston Rod Thread

M3: Special Piston Rod Thread

M4: Extended Piston Rod

K1: Seals for Max. 150°C (Viton)

K4: Piston Rod Seal Viton

### Force:

Cylinder Ø mm	Rod Ø mm	Thrust and traction forces (6 Bar)	
		Thrust Force (N)	Traction Force (N)
32	12	450	16
40	12	708	23
50	16	1120	30
63	16	1800	35
80	20	2900	60
100	25	4520	100

### Working Fluid:

Filtered and lubricated or filtered and not lubricated air

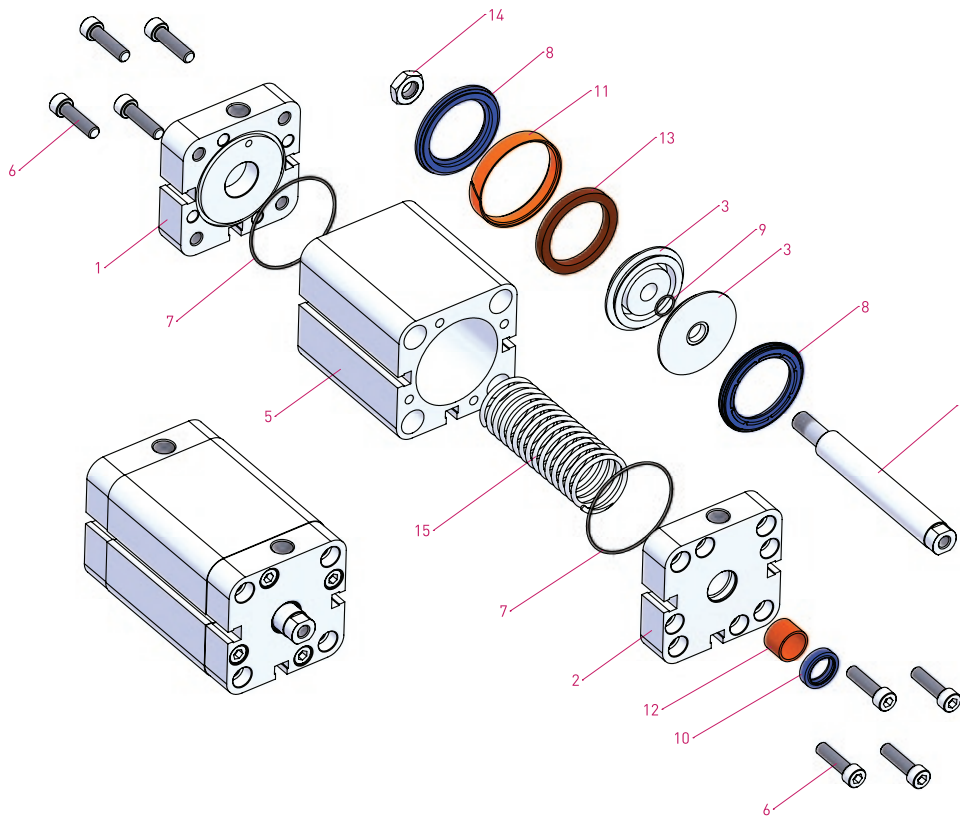
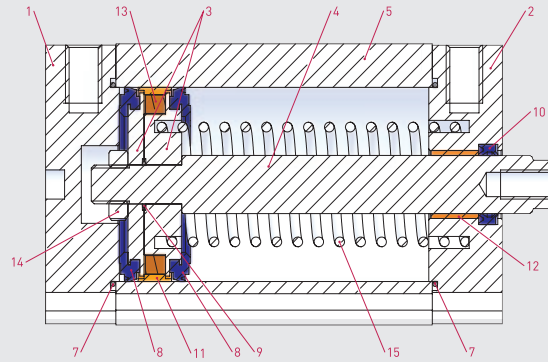
### Operating Temperature Range:

Polyurethane (PU) : (-20°C) - (+80°C)

Viton (FKM) : (-30°C) - (+180°C)

### Max. Work Pressure:

10 Bar

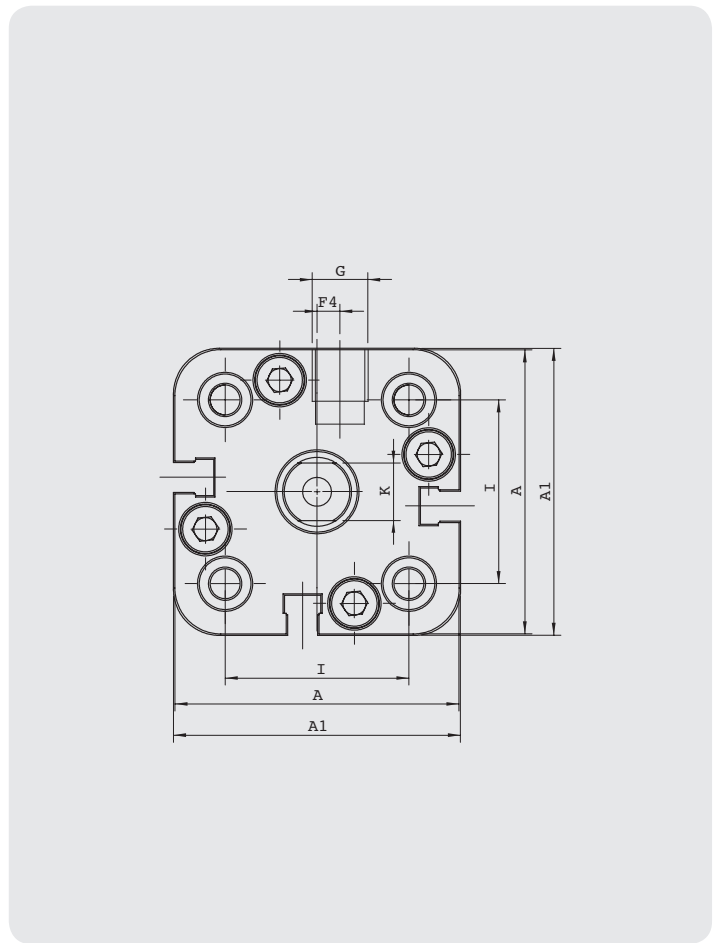
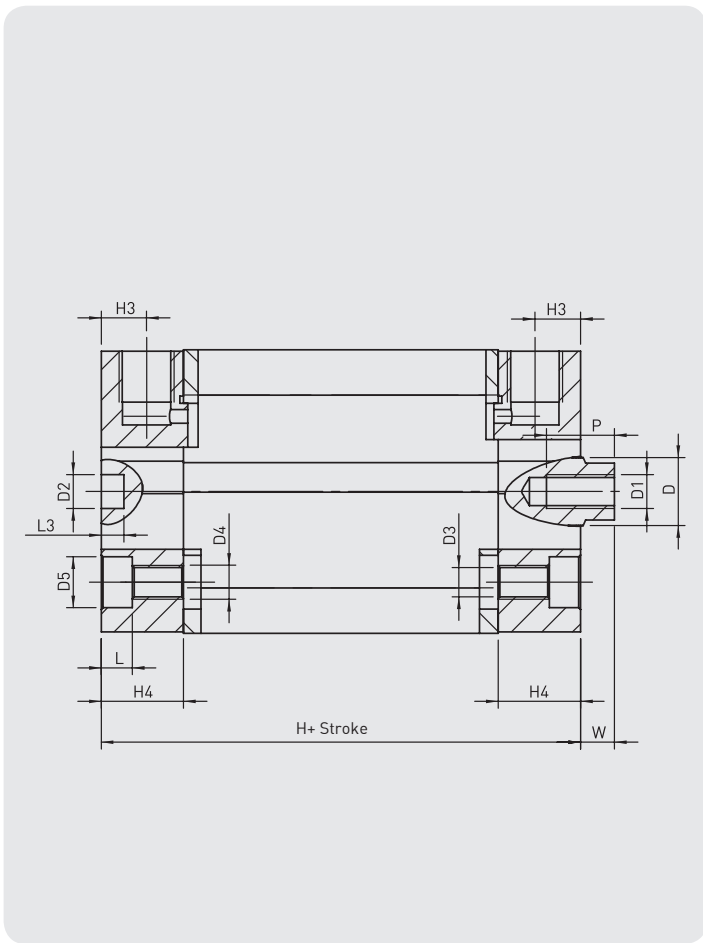


No	MATERIAL NAME	CHARACTERISTIC	PC.
1	Rear Head	Aluminium	1
2	Front Head	Aluminium	1
3	Middle Piston	Aluminium	2
4	Piston Rod	X20 Cr13 Hard Chrome Plated	1
5	Tube	Al Mg Si 0,5 + Eloxac Plated	1
6	Bolt	Stainless Steel	8
7	Head O-ring	NBR	2
8	Piston Seal	PU	2

No	MATERIAL NAME	CHARACTERISTIC	PC.
9	Middle Piston O-ring	NBR	1
10	Rod Seal	PU	1
11	Guiding Band	Polyacetal	1
12	Guiding Bush	CSB-40	1
13	Magnet		1
14	Nut	Galvanized Steel	1
15	Spring	Galvanized Steel	1



**PKS-A SERIES**  
COMPACT - Ø32 - Ø100



Cylinder Ø mm	A	A1	D Ø	D1 Ø	D2 Ø	D3 Ø	D4 Ø	D5 Ø	F4	G	H	H3	H4	I	K	L	L3	P	W
32	49,5	50	12	M6	6	5,2	M6	9	4	1/8"	44,5	8	14,5	32	10	5,5	4	12	6
40	57,5	58	12	M6	6	5,2	M6	9	3	1/8"	45,5	8	14,75	42	10	5,5	4	12	6,5
50	66,5	67	16	M8	6	6,7	M8	10,5	0	1/8"	45,5	8	14,75	50	13	6,5	4	12	7,5
63	79,5	80	16	M8	8	8,7	M10	13,5	0	1/8"	50	8	14,75	62	13	8,5	4	14	7,5
80	99,5	100	20	M10	8	8,7	M10	13,5	0	1/8"	56	8,5	16,5	82	17	8,5	4	15	8
100	123,5	124	25	M12	8	8,7	M10	13,5	0	1/4"	66,5	10,5	19,75	103	22	8,5	4	20	10

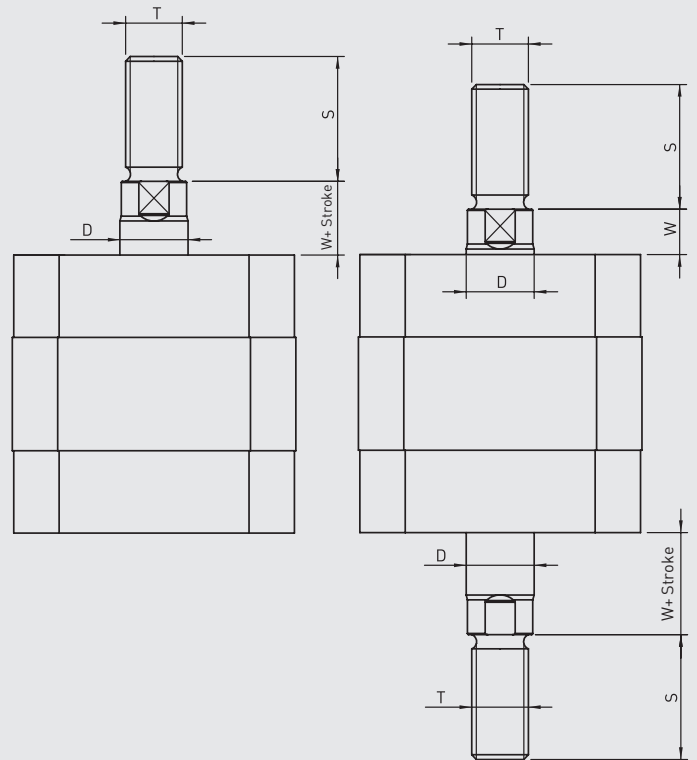
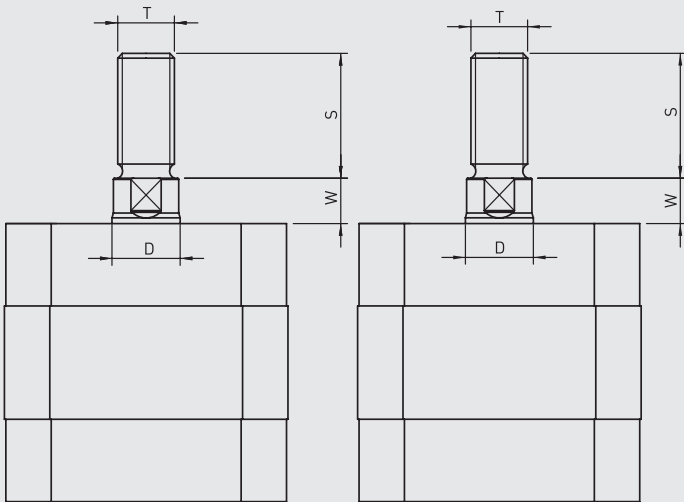


**PK-T**

**PKS-T**

**PKE-T**

**PKD-T**



Cylinder type	Cylinder Ø mm	D	S	T	W
	32	12	22	M10x1.25	6
	40	12	22	M10x1.25	6.5
PK-PKS	50	16	24	M12x1.25	7.5
PKE-PKD	63	16	24	M12x1.25	7.5
	80	20	32	M16x1.5	8
	100	25	40	M20x1.5	10