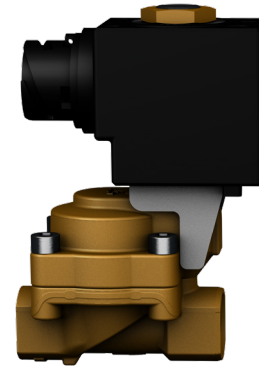


- > **Port size:**
G3/8 ... 1/2;
3/8 ... 1/2 NPT
- > **Orifice:**
DN 10 ... 12
- > **Suitable for natural gas (NG)**
- > **With ECE-R 110 approval**

> **International approvals**



Approval depends on magnetic system, see pages 2!



Technical features

Medium:

Natural gas (NG) in gaseous phase

Switching function:

Normally closed

Operation:

Indirectly solenoid actuated

Mounting position:

Optional, preferably solenoid vertical on top

Flow direction:

Determined

Port size:

G3/8, G1/2, 3/8 NPT, 1/2 NPT

Operating pressure:

0.5 ... 16 bar (7,25 ... 232 psi)

Fluid temperature:

-40 ... +90°C (-40 ... +194°F)

Ambient temperature:

-40 ... +120°C (-40 ... +248°F)

Material:

Body: Brass (CW617N)

Cover: Brass (CW617N)

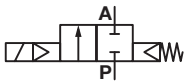
Cover seal: FPM

Seat seal: FPM

Internal parts: 1.4104, 1.4105, 1.4301, 1.4310, 1.4568, CW614N, PTFE

For contaminated fluids insertion of a strainer is recommended.

Technical data - standard model

Symbol	Port size	Orifice (mm)	Operating pressure *2)		Flow kv value *1) (m³/h)	Weight (kg)	Model Solenoid in V d.c.
			(bar)	(psi)			
	G3/8	10	0.5 ... 16	7.25 ... 232	3,4	0,84	8541100.3746.xxxxx
	3/8 NPT	10	0.5 ... 16	7.25 ... 232	3,4	0,84	8543100.3746.xxxxx
	G1/2	12	0.5 ... 16	7.25 ... 232	4,4	0,86	8541200.3746.xxxxx
	1/2 NPT	12	0.5 ... 16	7.25 ... 232	4,4	0,86	8543200.3746.xxxxx

xxxxx Please insert voltage and frequency codes

*1) Cv-value (US) ≈ kv-Wert x 1,2

*2) For gases and liquid fluids up to 25 mm²/s (cSt)

Option selector

854*****.*****.***

Thread form	Substitute
ISO G	1
NPT	3
Port size	Substitute
3/8	1
1/2	2
Valve options	Substitute
Normally closed (NC)	00

Frequenz	Substitute
See table frequency codes	xx
Spannung	Substitute
See Voltage codes	xxx
Solenoid options	Substitute
Solenoid in V a.c.	3746
Solenoid in V d.c.	3745

Standard solenoid systems

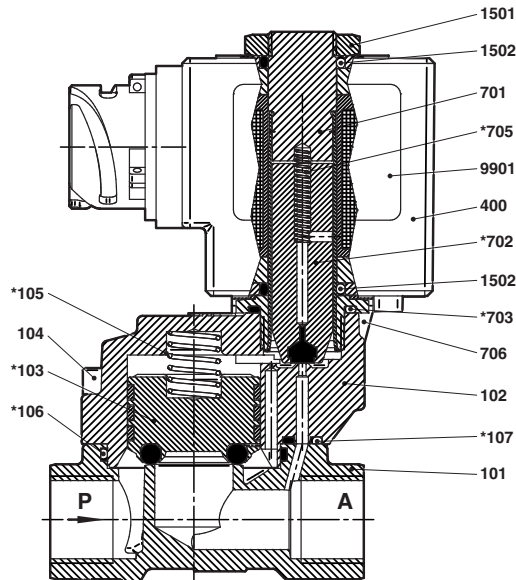
Voltage and Frequency Solenoid 3746					
Code Voltage	Code Frequency	Voltage	Frequency	Power consumption	
				Inrush	Holding
012	00	12 V DC	-	10 W	10 W
024	00	24 V DC	-	10 W	10 W

Electrical details for all solenoid systems

Voltage range	+33% / -25%
Duty cycle	100% ED
Protection class	IP 6K9K (ISO 20653) Terminals IP00
Socket	ISO15170-A1-2.3-Ag/K3

At operating state temperature (d.c.) the input power of a coil decreases up due to physical reasons.

Further versions on request!

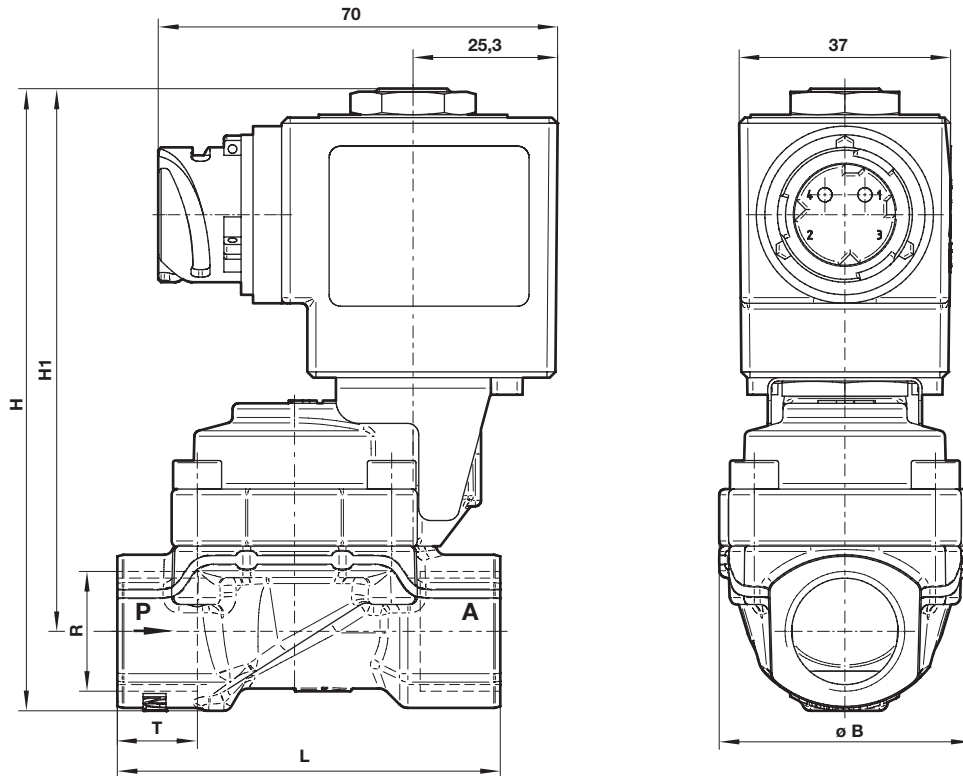
Sectional drawing
G3/8 ... 1/2
3/8 ... 1/2 NPT


No.	Description
101	Valve body
102	Valve cover
103	Valve piston
104	Straight pin
105	Pressure spring
106	O-ring
107	O-ring
400	Solenoid
701	Core tube
702	Core
703	O-ring
705	Pressure spring
1501	Hexagon screw
1502	O-ring

Dimensions

G3/8 ... 1/2
3/8 ... 1/2 NPT

Dimensions in mm
Projection/First angle



Port size R	ø B	H	H1	L	T	Typ
G3/8	44	106.5	95	60	12	8541100.374x.xxxxx
3/8 NPT	44	106.5	95	60	10.5	8543100.374x.xxxxx
G1/2	44	108.9	95	67	14	8541200.374x.xxxxx
1/2 NPT	44	108.9	95	67	13.5	8543200.374x.xxxxx

Note to Pressure Equipment Directive (PED):

The valves of this series are according to Art. 4 § 3 of the Pressure Equipment Directive (PED) 2014/68/EU. This means interpretation and production are in accordance to engineers practice wellknown in the member countries. The CE-sign at the valve does not refer to the PED. Thus the declaration of conformity is not longer applicable for this directive.

Note to Electromagnetic Compatibility Guideline (EEC):

The valves shall be provided with an electrical circuit which ensures the limits of the harmonised standards EN 61000-6-3 and EN 61000-6-1 are observed, and hence the requirements of the Electromagnetic Compatibility Guideline (2014/30/EU) satisfied.

Note to EAC marking:

The EAC-marked products comply with the applicable requirements stated in the technical regulations of the Eurasian Economic Union.